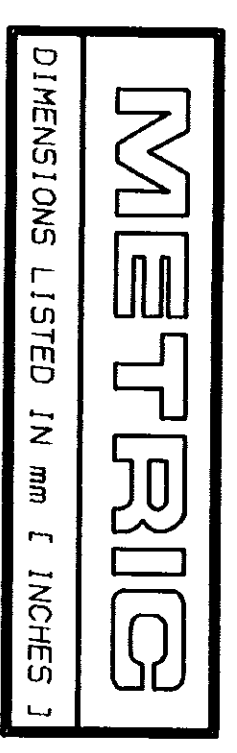
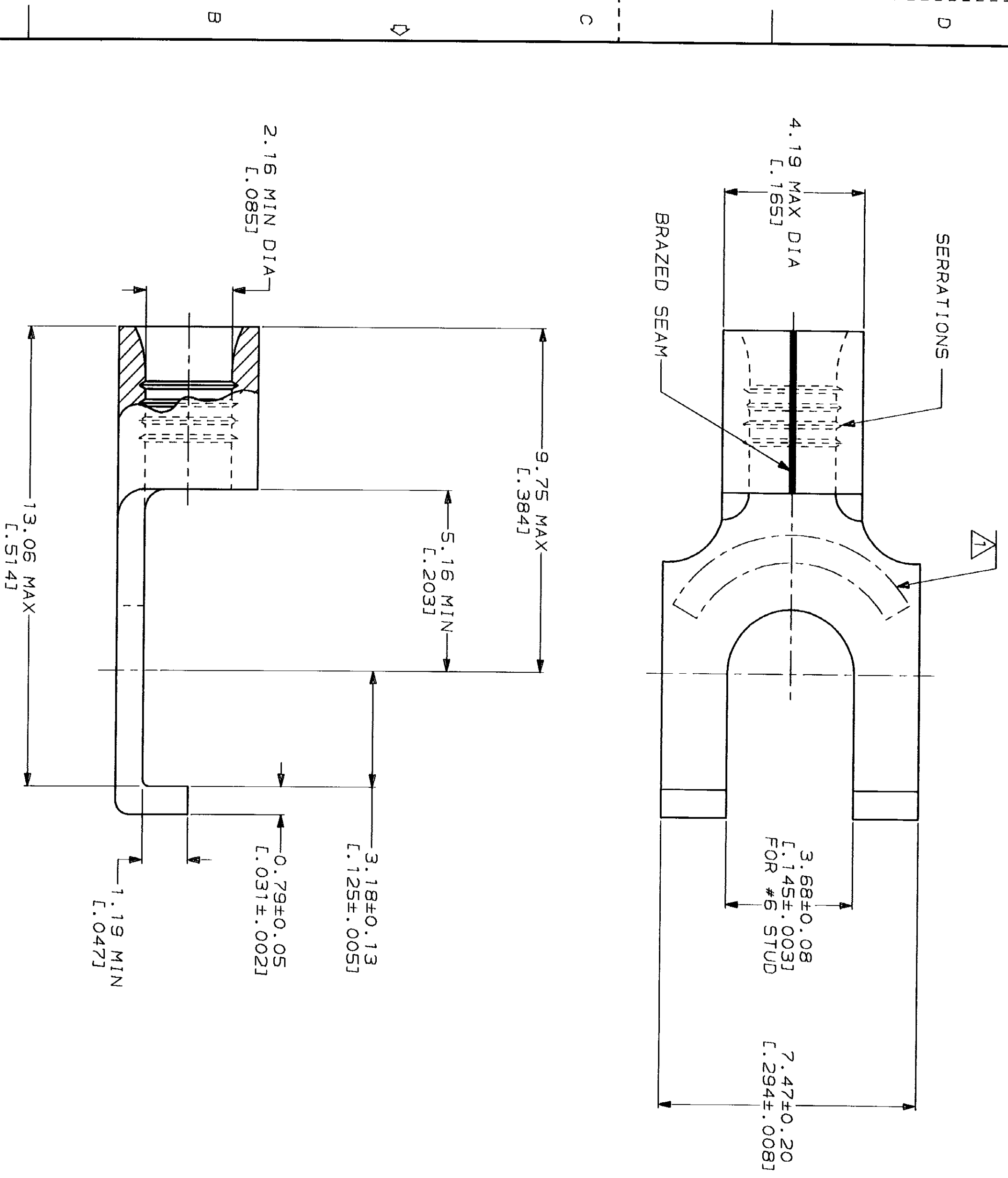


LOC	DIST	P	F	ZONE	LTR	DESCRIPTION	DATE	APPRO
G	14					REV, RDRW, & SM PKG PER 0720-0040-93	4-8-93	1 st DAP



AMP WIRE RANGE	UL E13288 Listed
16-14 AWG SOLID OR STRANDED	16-14 AWG SOLID OR STRANDED
LR7189 Certified	MILITARY P/N AND CLASS
16-14 AWG SOLID OR STRANDED	NOT APPLICABLE

△ STAMP AMP 16-14* APPROX AS SHOWN



QUANTITY	PACKAGING TYPE	PART NO
100	LOOSE PIECE, BOX	8-320855-1
5000	ON TAPE	2-320855-1
---	LOOSE PIECE	320855

AMP INCORPORATED
CUSTOMER SERVICE SYSTEMS

FOR ADDITIONAL
 COPIES OF DRAWINGS
 AND TECHNICAL DOCUMENTS
 FOR APPLICATION
 TOOLING INFORMATION
 FOR ORDER ENTRY

PRODUCT INFORMATION CENTER
 1-800-522-6752
 TOOLING ASSISTANCE CENTER
 1-800-722-1111
 1-800-526-5142

MAX RECOMMENDED OPERATING
 TEMPERATURE:
 170°C MAX

VOLTAGE RATING:
 NOT APPLICABLE

WIRE CROSS SECTIONAL AREA RANGE:
 1.04-2.62mm² [2,050-5,180] CIR MILS
 SOLID OR STRANDED

DO NOT SCALE PRINT.
 UNLESS SPECIFIED
 DIMENSIONS IN INCHES
 TOLERANCES ON:
 2 PLC DEC ±
 3 PLC DEC ±
 ANGLES ±

DR 4-8-93
 TA BRINKMAN
 CHK 4-8-93
 DA PATTERSON
 APPD 4-8-93
 DE MILLER
 APPD 4-8-93
 JL MECKLEY
 PRODUCT SPEC

FINISH
 TIN PLATE
 0.00254 [0.000100] MIN
 THK PER MIL-T-10727

APPLICATION SPEC
 WEIGHT

SIZE
 CASE CODE
 00779

DRAWING NO
 320855
 SHEET
 1 OF 1